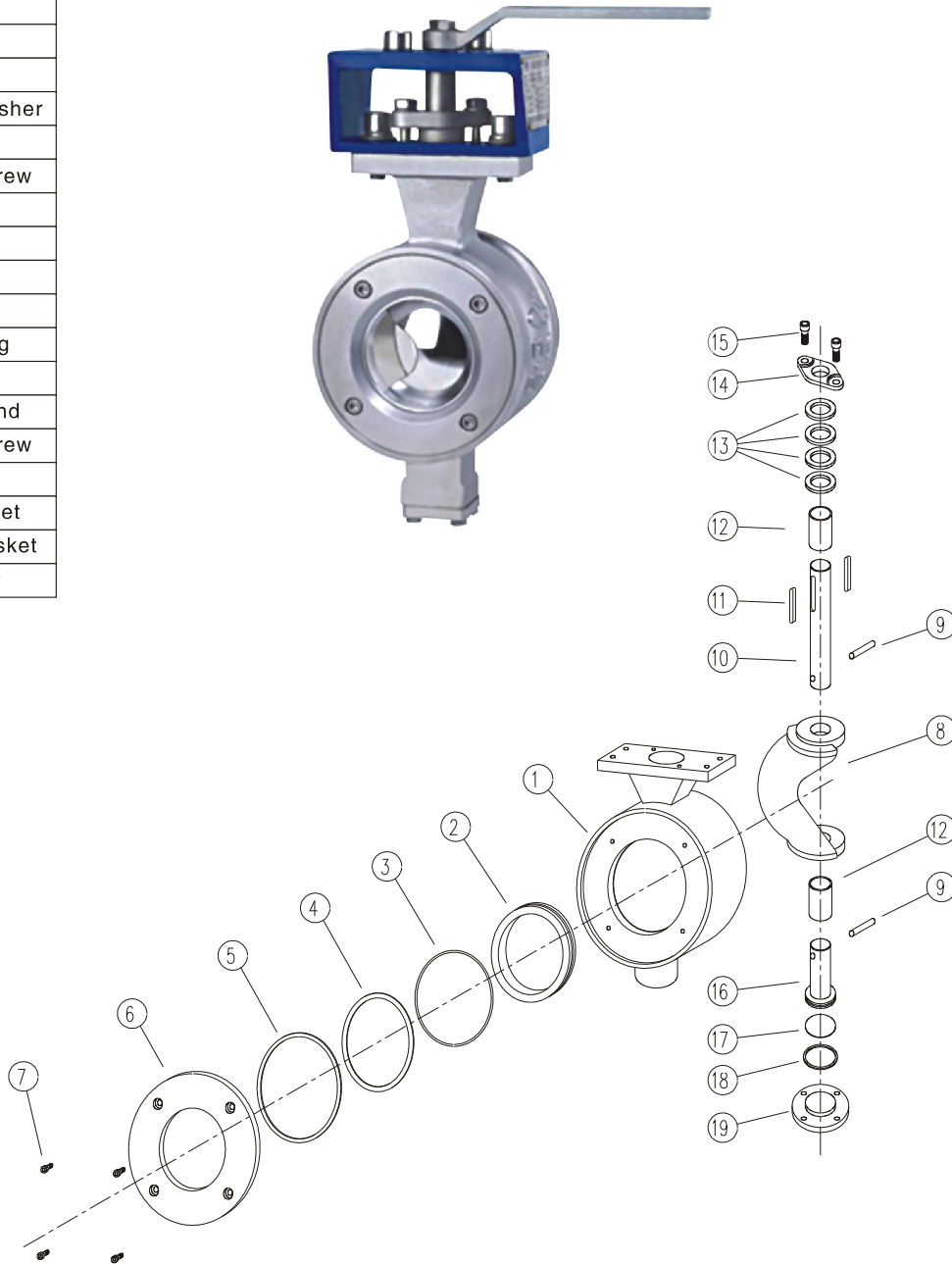


1	Body
2	Seat
3	O Ring
4	Flat Spring
5	Anti-fire Washer
6	Bonnet
7	Hexagon Screw
8	Ball
9	Pin
10	Stem
11	Key
12	Stem Bearing
13	Packing
14	Packing Gland
15	Hexagon Screw
16	Lower Stem
17	Sliding Gasket
18	Anti-fire Gasket
19	Lower Cover

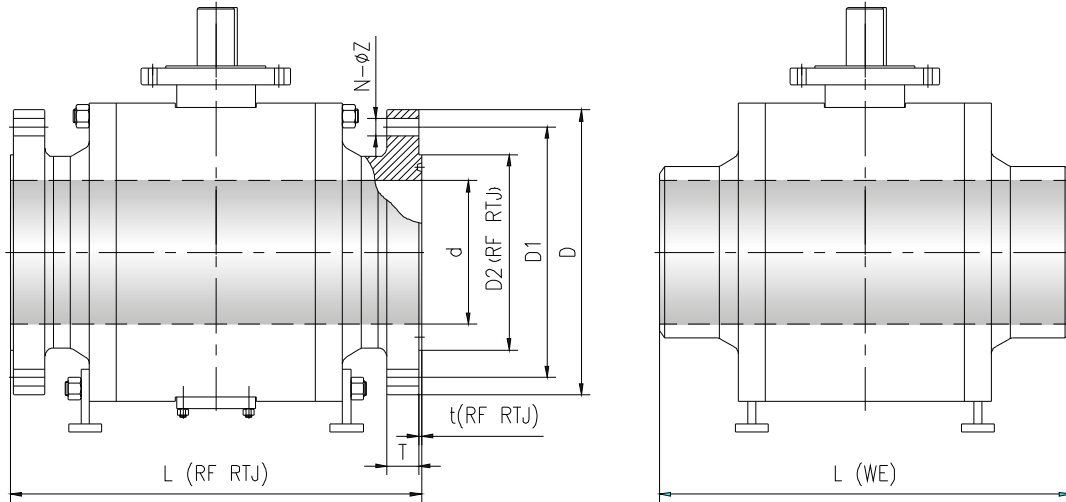


### 主要材质 Main Materials

Part Name	A	B	C	D	E	F
Body	WCB	WCB	WCB	CF8	CF8M	LCC
Seat	A105+STL	F304+STL	F316+STL	F304+STL	F316+STL	LF2+STL
Ball	A105+STL	F304+STL	F316+STL	F304+STL	F316+STL	LF2+STL
Stem	A105+ENP	F304	F316	F304	F316	LF2+ENP
Stud	B7M	B7M	B7M	B8M	B8M	L7
Nut	2HM	2HM	2HM	8M	8M	7M
Spring	17-7PH					
O Ring	VITON					
Packing	GRAPHITE					
Anti-fire Gasket	304+GRAPHITE					



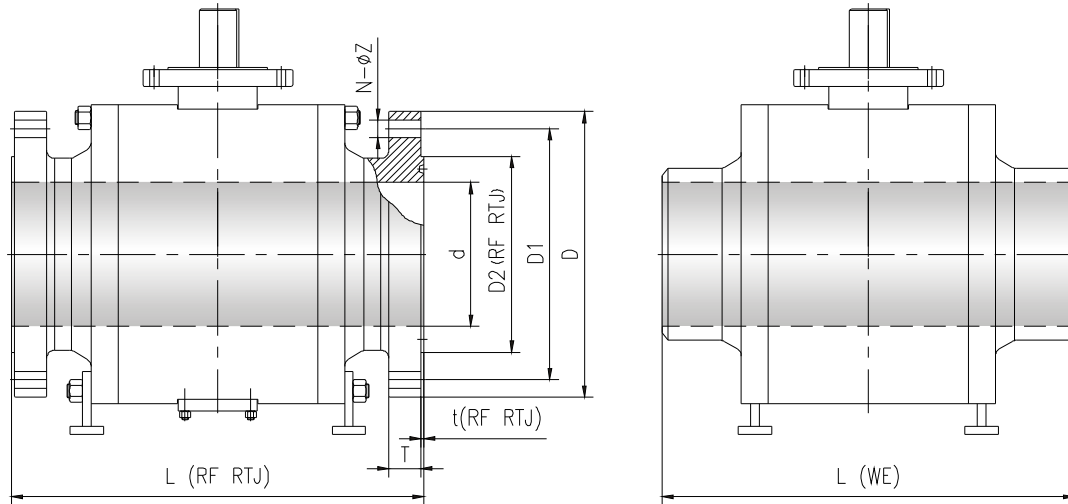
**ANSI Class 150  
285 psi**



Nominal Size		(RF)								(RTJ)				(BW)
DN	NPS	d	L(RF)	D	D1	D2(RF)	T	t(RF)	N-φZ	L(RTJ)	D2(RTJ)	t(RTJ)	R	L(WE)
50	2	49	178	150	120.5	92	14	2.0	4-φ19	191	102	6.4	R22	216
65	2 1/2	62	191	180	139.5	105	16	2.0	4-φ19	203	121	6.4	R25	241
80	3	74	203	190	152.5	127	17	2.0	4-φ19	216	133	6.4	R29	283
100	4	100	229	230	190.5	157	22	2.0	8-φ19	241	171	6.4	R36	305
150	6	150	394	280	241.5	216	24	2.0	8-φ22	406	219	6.4	R43	457
200	8	201	457	345	298.5	270	27	2.0	8-φ22	470	273	6.4	R48	521
250	10	252	533	405	362	324	29	2.0	12-φ25	546	330	6.4	R52	559
300	12	303	610	485	432	381	30	2.0	12-φ25	622	406	6.4	R56	635
350	14	334	686	535	476	413	33	2.0	12-φ28.5	699	425	6.4	R59	762
400	16	385	762	600	540	470	35	2.0	16-φ28.5	775	483	6.4	R64	838
450	18	436	864	635	578	533	38	2.0	16-φ32	876	546	6.4	R68	914
500	20	487	914	700	635	584	41	2.0	20-φ32	927	597	6.4	R72	991
550	22	538	1016	750	692	641	44	2.0	20-φ35	-	-	-	-	1092
600	24	589	1067	815	749.5	692	46	2.0	20-φ35	1080	711	6.4	R76	1143
650	26	633	1143	870	806.5	749	67	2.0	24-φ35	-	-	-	-	1245
700	28	684	1245	925	863.6	800	70	2.0	28-φ35	-	-	-	-	1346
750	30	735	1295	985	914.4	857	73	2.0	28-φ35	-	-	-	-	1397
800	32	779	1372	1060	978	914	79	2.0	28-φ41	-	-	-	-	1524
850	34	830	1473	1110	1028.7	965	81	2.0	32-φ41	-	-	-	-	1626
900	36	874	1524	1170	1086	1022	89	2.0	32-φ41	-	-	-	-	1727
950	38	925	1840	1240	1149.4	1073	86	2.0	32-φ41	-	-	-	-	-
1000	40	976	1900	1290	1200	1124	89	2.0	36-φ41	-	-	-	-	-
1050	42	1020	2050	1346	1257.3	1194	95	2.0	36-φ41	-	-	-	-	-
1150	46	1120	2100	1455	1365.3	1295	103	2.0	40-φ41	-	-	-	-	-
1200	48	1166	2180	1511	1422.4	1359	106	2.0	44-φ41	-	-	-	-	-



**ANSI Class 300**  
**740 psi**



Nominal Size		(RF)								(RTJ)				(BW)
DN	NPS	d	L(RF)	D	D1	D2(RF)	T	t(RF)	N-φZ	L(RTJ)	D2(RTJ)	t(RTJ)	R	L(WE)
50	2	49	216	165	127	92	21	2.0	8-φ19	232	108	8	R23	216
65	2½	62	241	190	149	105	24	2.0	8-φ22	257	127	8	R26	241
80	3	74	283	210	168.5	127	27	2.0	8-φ22	298	146	8	R31	283
100	4	100	305	255	200	157	30	2.0	8-φ22	321	175	8	R37	305
150	6	150	403	320	270	216	35	2.0	12-φ22	419	241	8	R45	403
200	8	201	502	380	330	270	40	2.0	12-φ25	518	302	8	R49	521
250	10	252	568	445	387.5	324	46	2.0	16-φ28.5	584	356	8	R53	559
300	12	303	648	520	451	381	49	2.0	16-φ32	664	413	8	R57	635
350	14	334	762	585	514.5	413	52	2.0	20-φ32	778	457	8	R61	762
400	16	385	838	650	571.5	470	56	2.0	20-φ35	854	508	8	R65	838
450	18	436	914	710	628.5	533	59	2.0	24-φ35	930	575	8	R69	914
500	20	487	991	775	686	584	62	2.0	24-φ35	1010	635	9.5	R73	991
550	22	538	1092	840	743	641	65	2.0	24-φ41	1114	685	11.2	R81	1092
600	24	589	1143	915	813	692	68	2.0	24-φ41	1165	749	11.2	R77	1143
650	26	633	1245	970	876.3	749	78	2.0	28-φ44.5	1270	810	12.7	R93	1245
700	28	684	1346	1035	940	800	84	2.0	28-φ44.5	1372	861	12.7	R94	1346
750	30	735	1397	1090	997	857	90	2.0	28-φ48	1422	918	12.7	R95	1397
800	32	779	1524	1150	1054	914	97	2.0	28-φ51	1553	984	14.3	R96	1524
850	34	830	1626	1205	1105	965	100	2.0	28-φ51	1654	1035	14.3	R97	1626
900	36	874	1727	1270	1168.4	1022	103	2.0	32-φ54	1756	1092	14.3	R98	1727
950	38	925	1840	1170	1092	1029	106	2.0	32-φ41.3	-	-	-	-	-
1000	40	976	1900	1240	1155.7	1086	113	2.0	32-φ44.5	-	-	-	-	-
1050	42	1020	2050	1290	1206.5	1137	118	2.0	32-φ44.5	-	-	-	-	-
1150	46	1120	2100	1415	1320.8	1245	129	2.0	28-φ51	-	-	-	-	-
1200	48	1166	2180	1465	1371.6	1302	132	2.0	32-φ51	-	-	-	-	-